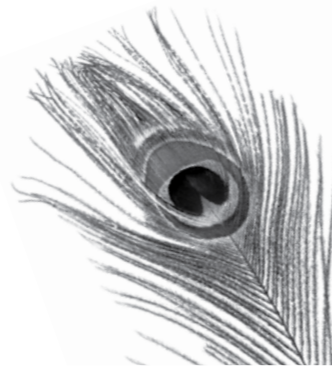


TVONICS

Converts any TV to Digital

MFR-200 Quick Start Guide

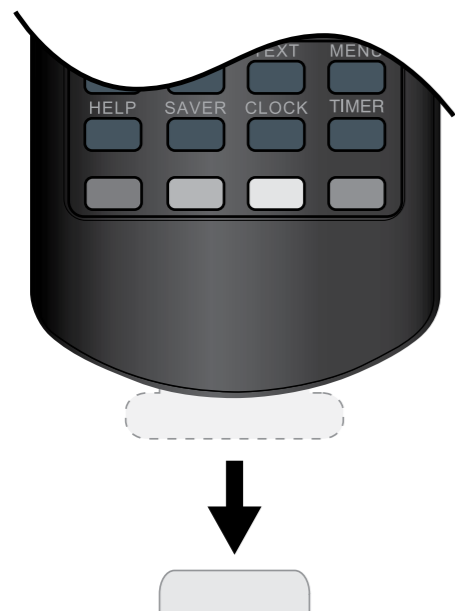


1 Package contents



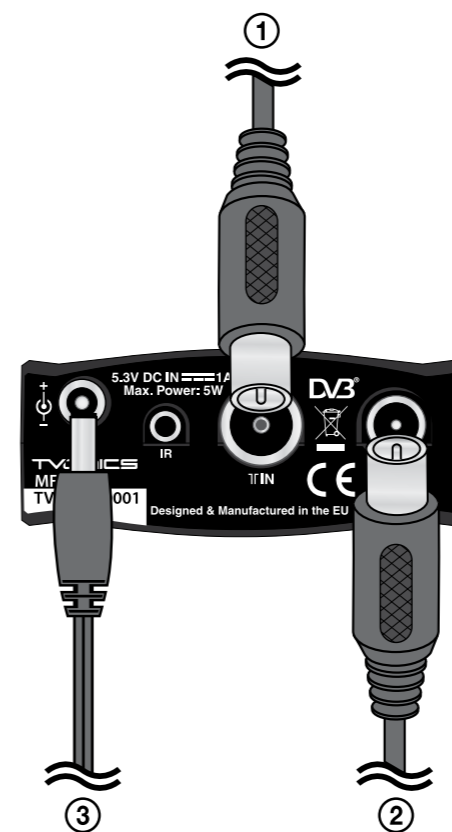
- ① Freeview box
- ② RF Lead
- ③ Fixing pads
- ④ Remote Control
- ⑤ Power Adaptor
- ⑥ User Guide
- ⑦ Quick Start Guide

2 Preparing the remote control



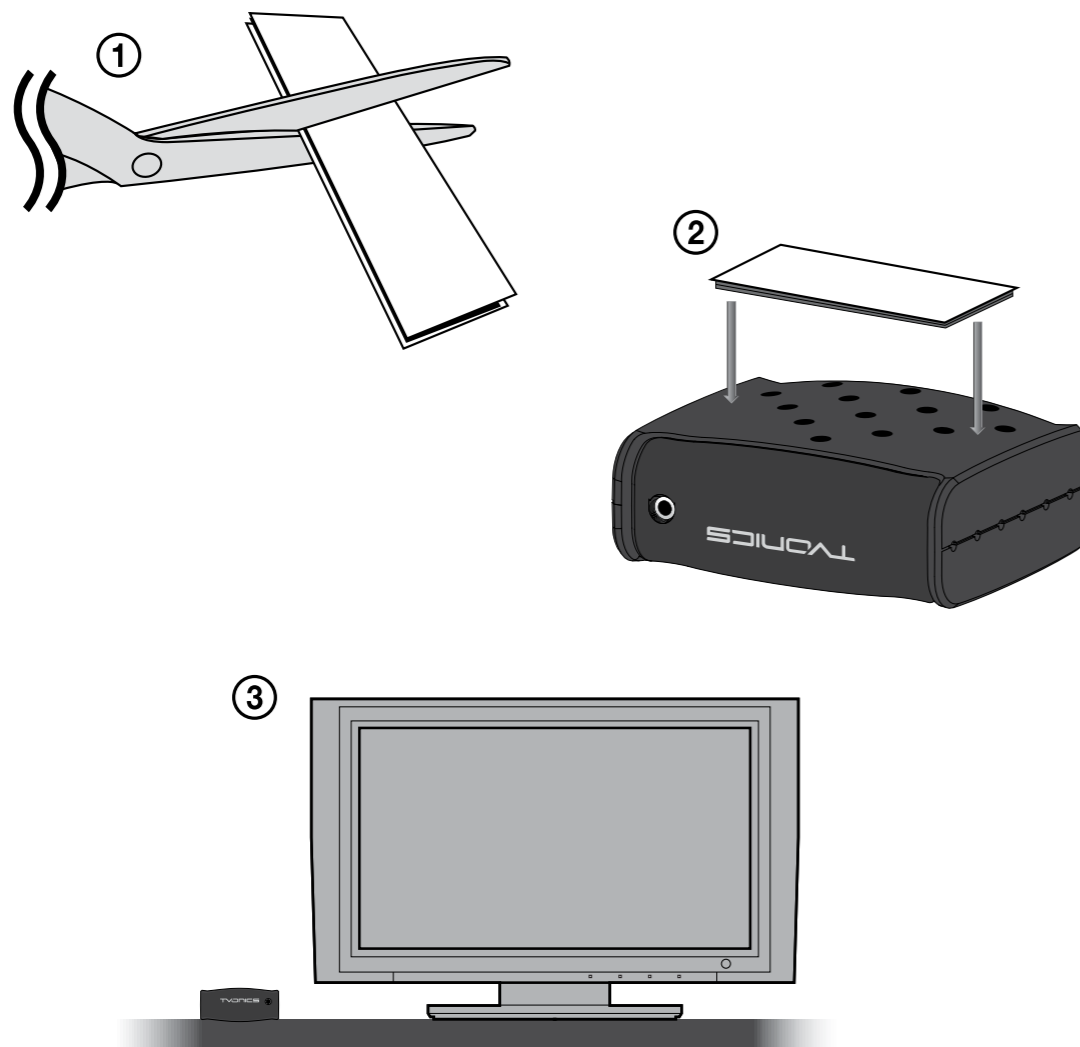
- ① Remove the remote control from the plastic bag.
 - ② Remove the insulation sheet before using the remote control.
- When replacing the battery, use battery type CR2025.
 - Always check the positive/negative symbols on the batteries to ensure they are inserted correctly.
 - Don't forget to dispose of old batteries in an environmentally friendly way.

3 Connecting to your TV



- ① From your aerial.
- ② To your TV (supplied RF lead).
- ③ To the mains power outlet (supplied power supply). (Do not cut off the supplied power supply's plug.)

4 Optionally attaching your Freeview box to a surface



- ① Cut the supplied fixing pads to the required size.
- ② With the two parts of the fixing pads stuck together, remove the backing tape from one part and attach the fixing pads to the Freeview Box.
- ③ Remove the backing tape from the other part of the fixing pads and fix the Freeview box to a stable surface.

5 Setting up your TV

Before you can use the Freeview box you will need to tune a spare channel on your TV.

Ensure the Freeview box is switched on before tuning the TV.

To automatically tune a spare channel on your TV:

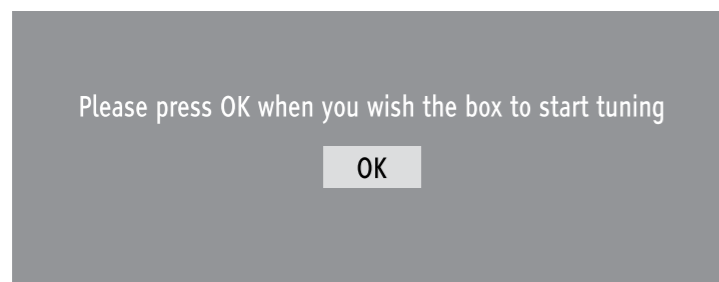
1. Use your TV's 'automatic tune' option to retune your TV (refer to your TV's user guide for more information). The unit must be switched on in order for the TV to detect it.
2. Once the automatic tuning has finished, use your TV's remote control to find the channel that displays the Freeview box's picture. You should see the Start up screen, shown in section 6.
3. Whenever you want to view pictures from the Freeview box, you will need to select this channel first.

To manually tune a spare channel on your TV:

1. Use your TV's remote control to select a spare channel on your TV.
2. Use your TV's 'manual tune' option to search for the Freeview box (refer to your TV's user guide for more information). The unit automatically outputs a signal on UHF Channel 38*. Alternatively, if your TV allows you to enter the channel frequency directly, the Freeview box's output frequency is 607.25 MHz. Once the channel has been tuned you should see Start up screen, shown in section 6.
3. Store this channel on your TV. Whenever you want to view pictures from the Freeview box, you will need to select this channel first.

*If UHF Channel 38 is already in use, or interference lines appear on the picture, set the Freeview box's output signal to a different UHF Channel and retune your TV. Refer to "RF Output" on page 23 of the user guide.

6 Automatically tuning the Freeview box



With the Freeview box's Start up screen displayed, press the **[OK]** button on the remote control to begin automatic tuning.

When automatic tuning has finished, a summary screen is displayed.

Press the **[OK]** button to remove the summary screen and start watching digital TV.